

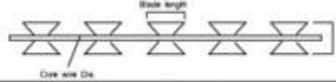

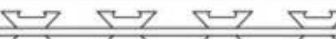






Shijiazhuang Heshuo Metal Products Company Ltd.

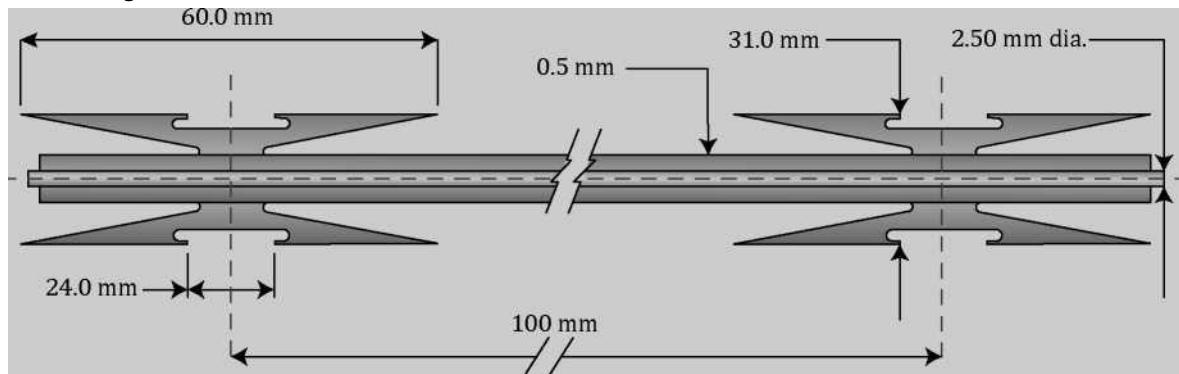
Razor Wire Coils Solution - Tough and durable structure, visual and functional deter for intruders

Razor Blade Type and Specification						
Reference Number	Blade Style	Thickness (mm)	Wire Dia. (mm)	Barb Length (mm)	Barb Width (mm)	Barb Spacing (mm)
BTO-12		0.5 ± 0.05	2.5 ± 0.1	12 ± 1	15 ± 1	26 ± 1
BTO-15		0.5 ± 0.05	2.5 ± 0.1	15 ± 1	15 ± 1	33 ± 1
BTO-22		0.5 ± 0.05	2.5 ± 0.1	22 ± 1	15 ± 1	34 ± 1
BTO-30		0.5 ± 0.05	2.5 ± 0.1	30 ± 1	18 ± 1	45 ± 1
CBT-25		0.5 ± 0.05	2.5 ± 0.1	25 ± 1	16 ± 1	40 ± 1
CBT-60		0.6 ± 0.05	2.5 ± 0.1	60 ± 2	32 ± 1	100 ± 2
CBT-65		0.6 ± 0.05	2.5 ± 0.1	65 ± 2	21 ± 1	100 ± 2

Long Blade Razor Wire

CBT - 60 Fish Hook Blade

Fish-hook blade is the metal in the middle that has gone through the most gyrations. All hooks have an eye to tie your line to, a sharp tip to pierce the fish's mouth and a barb to hold it in place. Although there are a wide variety of innovations in point design, it's the shank & the bend that have changed the most.



Blade Type	Barb Thickness	Barb Length	Barb Width	Barb Spacing	Core Wire Diameter



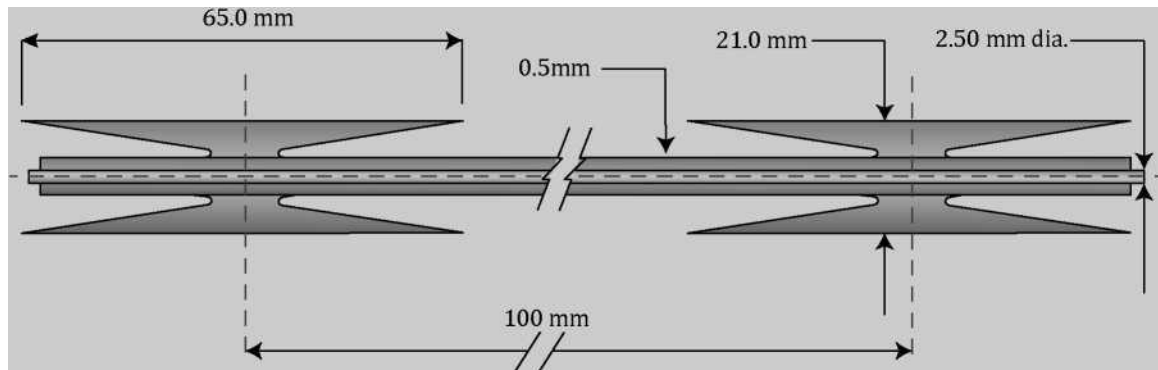
CBT-60	0.5 ± 0.05	60.0 ± 2	31 ± 1	100 ± 2	2.5 ± 0.1
--------	------------	----------	--------	---------	-----------

CBT-65 Long Blade

Razor wire long blade is a vicious product when manufactured of toughened stainless steel blade material. It is usually used for prison fencing. Extra long blade razors provide maximum frightening effect.

CBT-65

- Material 1. Galvanized Zinc (hot dipped (50-80 g),
- Material 2. electric galvanized(10-30g)
- Material 3. high zinc coating 100-270g),
- Material 4. zinc aluminum alloy wire (270g -380g)
- Material 5. Stainless steel 430,304, 316L (Marine Grade)
- Material 5 .PVC coating , (many colors is available)
- Good tensile strength (at least 450 N)



Outer Diameter	Loops	Extended Length	Blade Type	Note
300 mm	33	4-6 m	CBT- 60, 65	Single coil
450 mm	33	7-8 m	CBT- 60, 65	Single coil
500 mm	56	12-13 m	CBT- 60, 65	Single coil



Shijiazhuang Heshuo Metal Products Company Ltd.

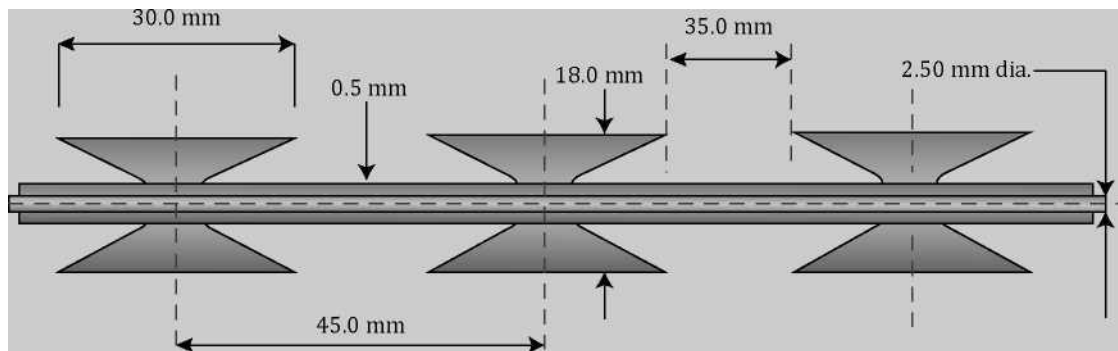
Razor Wire Coils Solution - Tough and durable structure, visual and functional deterrent for intruders

700 mm	56	13-14 m	CBT- 60, 65	Single coil
960 mm	56	14-15 m	CBT- 60, 65	Single coil

Short Blade Razor Wire

BTO-30 Tear Blade

Tear blade is an hybrid of medium blade and long blade, more vicious than a medium blade and more economical than long blade.



Blade Type	Barb Thickness	Barb Length	Barb Width	Barb Spacing	Core Wire Diameter
BTO-30	0.5 ± 0.05	30.0 ± 1	18 ± 1	45 ± 2	2.5 ± 0.1

BTO-22 Medium blade

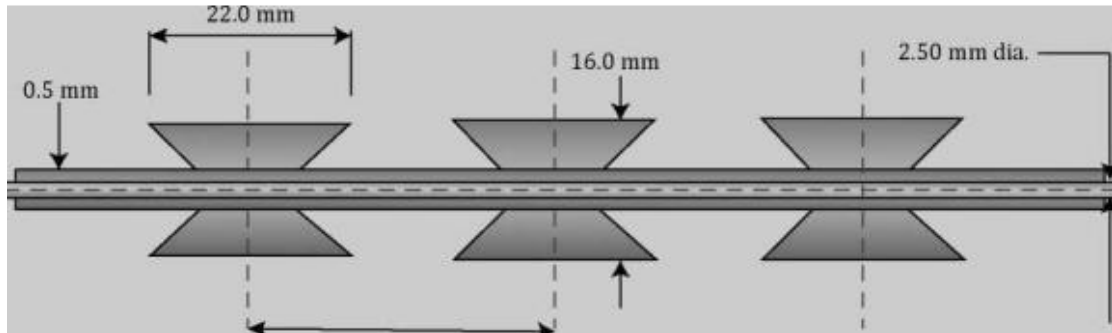
Concertina wire medium blade is an improvement on the short blade variety at a cost-effective price level. It is widely used for commercial and industrial applications.

Medium blade concertina wire had a much sharper edge and quickly gained the reputation of being an extremely effective low cost security choice.



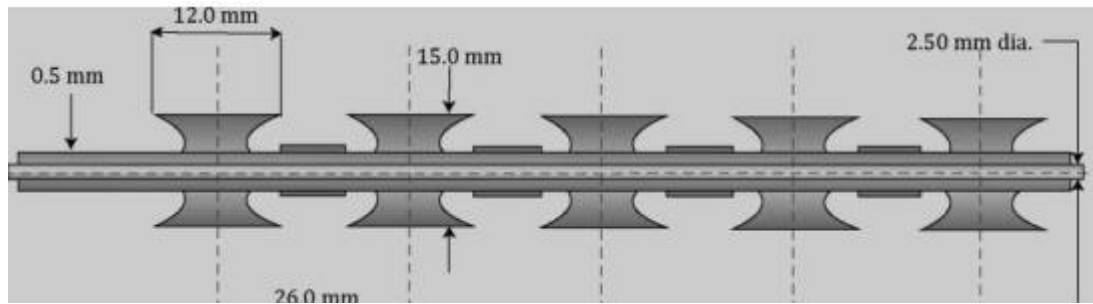
Shijiazhuang Heshuo Metal Products Company Ltd.

Razor Wire Coils Solution - Tough and durable structure, visual and functional deter for intruders

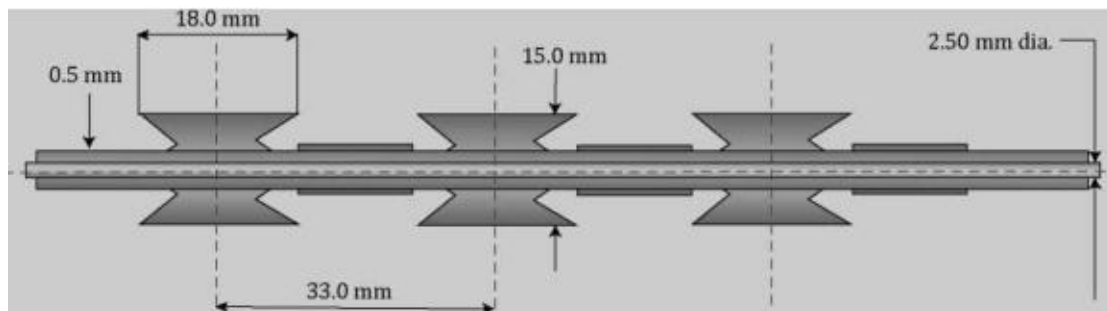


Blade Type	Blarb Thickness	Blarb Length	Blarb Width	Blarb Spacing	Core Wire Diameter
BTO-22	0.5 ± 0.05	22.0 ± 1	16 ± 1	35 ± 2	2.5 ± 0.1

BTO-12



BTO-18



Blarb Thickness	Blarb Length	Blarb Width	Blarb Spacing	Core Wire Diameter

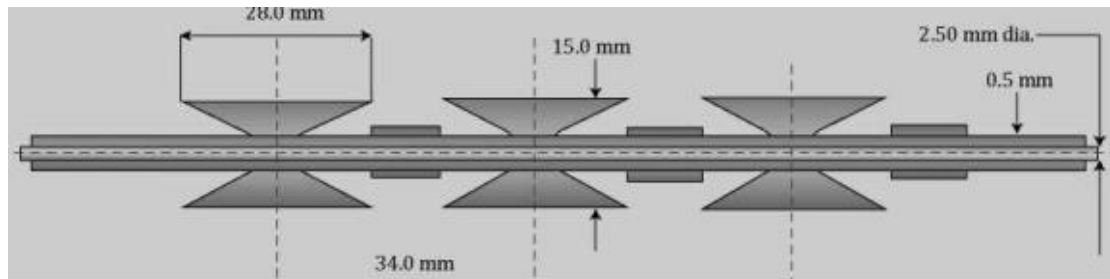


Shijiazhuang Heshuo Metal Products Company Ltd.

Razor Wire Coils Solution - Tough and durable structure, visual and functional deter for intruders

0.5 ± 0.05	12.0 ± 1	15 ± 1	26 ± 1	2.5 ± 0.1
------------	----------	--------	--------	-----------

BTO-28



Barb Thickness	Barb Length	Barb Width	Barb Spacing	Core Wire Diameter
0.5 ± 0.05	18.0 ± 1	15 ± 1	33 ± 1	2.5 ± 0.1

Outside diameter	Loops	Length	Razor type	Coil type
450mm	56	8M-9M (3clips)	BTO-10, 12, 18, 22, 28, 30	Cross Type
500mm	56	9M-10M (3clips)	BTO-10, 12, 18, 22, 28, 30	Cross Type
600mm	56	10M-11M (3clips)	BTO-10, 12, 18, 22, 28, 30	Cross Type
600mm	56	8M-10M (5clips)	BTO-10, 12, 18, 22, 28, 30	Cross Type
700mm	56	10M-12M (5clips)	BTO-10, 12, 18, 22, 28, 30	Cross Type
800mm	56	11M-13M (5clips)	BTO-10, 12, 18, 22, 28, 30	Cross Type
900mm	56	12M-14M (5clips)	BTO-10, 12, 18, 22, 28, 30	Cross Type
960mm	56	13M-15M (5clips)	BTO-10, 12, 18, 22, 28, 30	Cross Type
980mm	56	14M-16M (5clips)	BTO-10, 12, 18, 22, 28, 30	Cross Type



Shijiazhuang Heshuo Metal Products Company Ltd.

Razor Wire Coils Solution - Tough and durable structure, visual and functional deter for intruders



TEL: +86-311-85341235

mail: fence6@chain-link-mesh.com

Add: No1.Industrial First Street West Zone Of Industrial Park Shenze
County